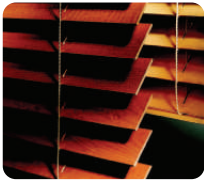


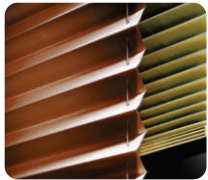
SOMFY DIGITAL NETWORK IP INTERFACE



Sheer Horizontal Shades



2" Horizontal Blinds



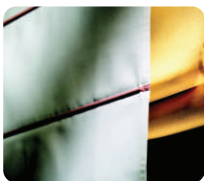
Pleated/Cellular Shades



Roller/Solar Shades



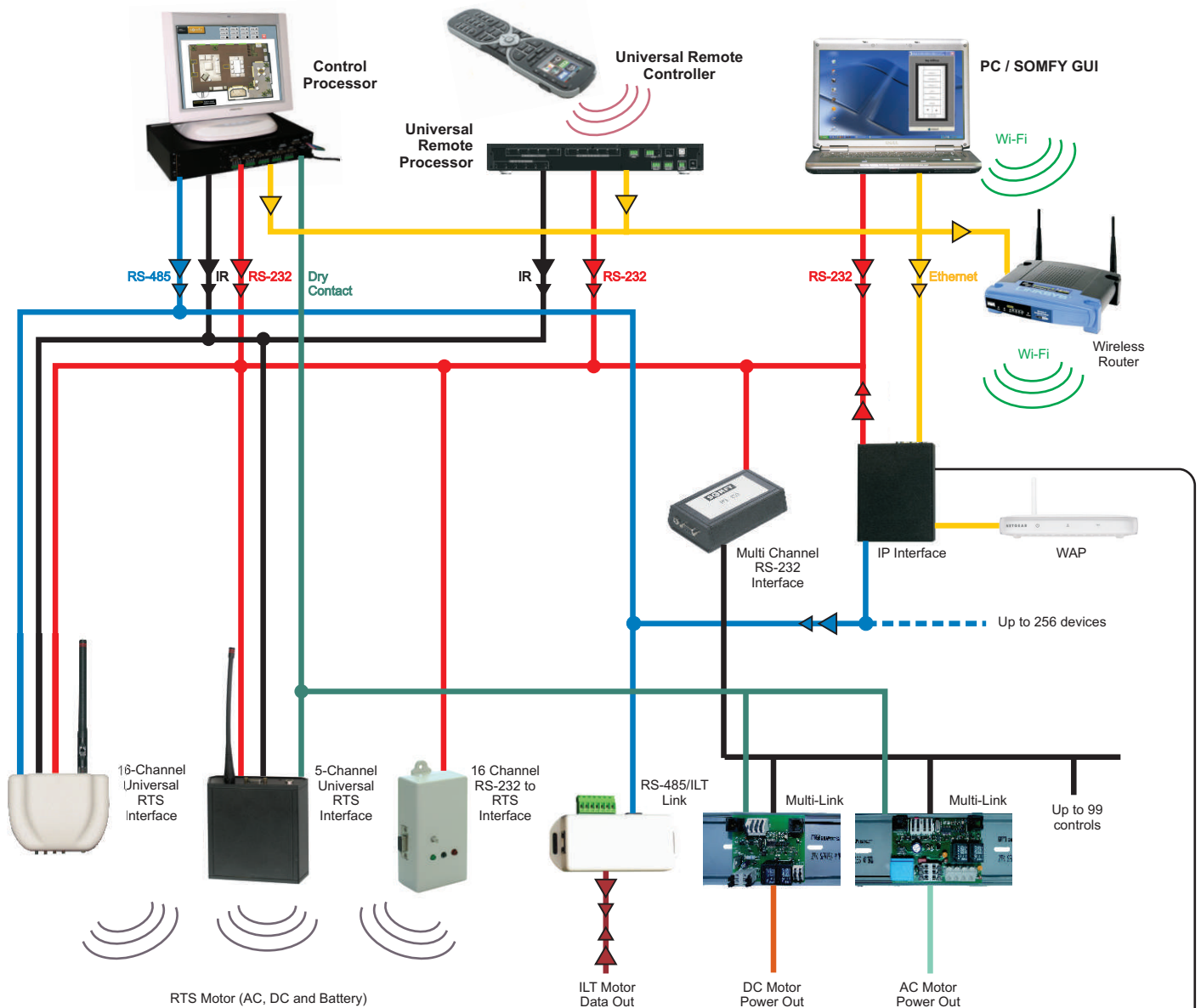
Draperies



Roman/Woven Shades

The Somfy Digital Network (SDN) Internet Protocol (IP) Interface is a serial device server used to connect a variety of Somfy motors and control devices to an IP network. It's now possible to configure and control window coverings powered by Somfy via any standard web browser.

Somfy Motor Control Network



LAN:
 Ethernet: 10/100 Mbps, RJ45
 Protection: Built-in 1.5 KV magnetic isolation

Serial Interface:
 Interface: RS-232 (Half duplex RS-485 w/ adapter)
 No. of Ports: 1
 Port Type: DB9 (Male)
 Transmission Speed: 1.2 - 115 Kbps
 Signals: Tx, Rx, RTS, CTS, DTR, DSR, DCD, GND
 Serial Line Protection: 15 KV ESD for all signals

Serial Communication Parameters:
 Parity: None, Even, Odd, Space, Mark
 Data Bits: 5, 6, 7, 8

Regulatory Approvals:
 EMC FCC Class A, CE Class A, Safety UL, CUL, TÜV

Power Requirements:
 Power Input: 9 to 18 VDC
 Power Consumption: 300 mA@12V

Mechanical:
 Casing: Steel case
 Dimensions (W × H × D): 2.87 × 1.00 × 3.75 in
 Gross Weight: 0.580 kg

Environment:
 Operating Temperature: 0 to 55°C (32 to 131°F),
 5 to 95%RH, non-condensing
 Storage Temperature: -20 to 85°C (-4 to 185°F),
 5 to 95%RH, non-condensing

Warranty: 5 years

