

RS485 – ILT LINK

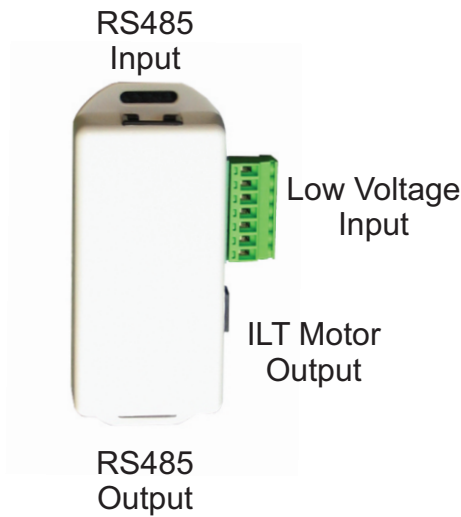
DESCRIPTION

The Somfy RS485-ILT Link will enable third party communication to Somfy's line of intelligent (ILT) motors.

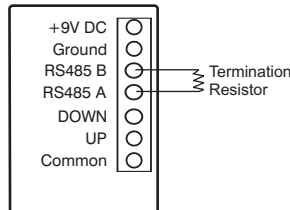
MECHANICAL SPECIFICATIONS

Overall Dimensions: L: 3 1/8 in. W: 2 5/8 in. H: 3/4 in.

CONNECTION DIAGRAM

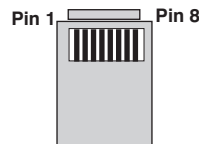


Low Voltage Input Detail



A termination resistor of at least 120ohms should be placed only at the extreme ends of the data line, and no more than two resistors should be placed in any system that does not use repeaters.

RS485 Connector (RJ45) Pin Out



- 1 - RS485 A
- 2 - RS485 B
- 3 - NOT CONNECTED
- 4 - BUS POWER +9V
- 5 - BUS POWER +9V
- 6 - NOT CONNECTED
- 7 - BUS POWER GND
- 8 - BUS POWER GND

ORDERING INFORMATION

Description	Part Number
RS485 - ILT Link	1870127

SOMFY CANADA
6315 Shawson Drive, Unit #1
Mississauga, Ontario L5T1J2

SOMFY SYSTEMS, INC.
47 Commerce Drive
Cranbury, NJ 08512