



Datasheet SONESSE® 40 RTS range 6

DOC101947

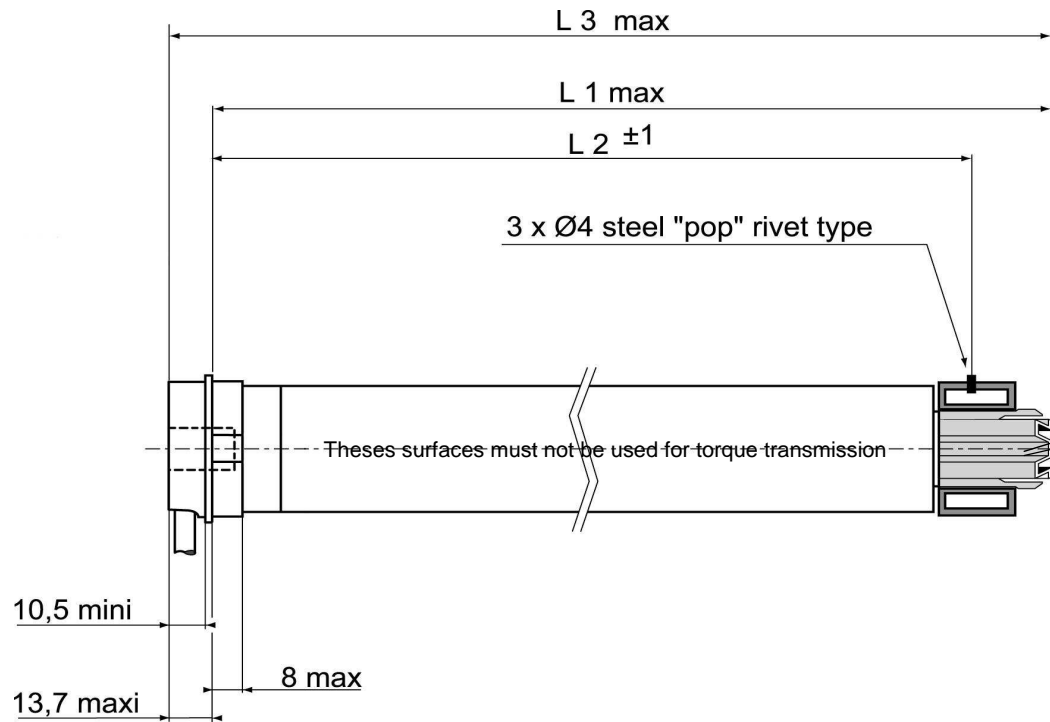
003

SONESSE 40 RTS Range6

Nominal voltage	220 V - 60 Hz
Power supply tolerances	190 - 235 V
Thermal time	5 minutes
Number of wires of the cable	2
Insulation class	class II
Wire section	0,75 mm ²
Type of limit switch unit	Electronic
Capacity of the LSU	250turns, limited to 3 minutes of rotation without stop
Repeatability	± 4°
System of protection	IP 44
Interface drawings	-Screw implantation for LS40 mounting 147897 -Wheel interface LS40 147887 -Crown interface LS40 147888 -LS40 head interface drawing 147465.
Radio Frequency	447,7 MHz
Coding	Rolling code 16 million of possibilities
Capacity of memory	Up to 12 RTS transmitters & 3 RTS sensors
Range	20 m with 2 reinforced concrete walls to be passed through
telecommunications Terminal Equipment Directive	Dir 1999/5/CE
Safety Security	EN 60335-2-97
Electromagnetic compatibility	EN 301489-3
Radio	EN 300-220 -3
Angular free-play for venetian application	Angular free-play between the drive wheel accessory & the tube + free-play between the crown accessory & the tube, must not exceed 8°
Wheel unclipping force	~7 kg
Temperature working range	From 0°C to 60°C: 10 000 cycles (1 cycle = 1 u p/down movement of 2m height for a blind) Restriction: from 0°C to 10°C 1500 c ycles from 35°C to 60°C 3500 cycles
Noise Level	Power Level (measurement between 20°C to 35°C): acc ording to standards ISO 3741 NF 31022 in dB(A) ref 1pW, worst value at nominal Torque in up direction

	Nm	rpm	mm	mm	mm	mm	W	A	kg	db(A) ref 1pW
Designation	Nominal torque	Nominal speed	L1 max.	L2 (±3 mm)	L3 max.	tube	Rated power	Rated current	Weight	Noise Power Level
403S6 SONESSE RTS 447 3/36	3	36	504	480	517	445	95	0,5	1,225	42
406A6 SONESSE RTS 447 6/24	6	24	535	511	548	476	120	0,6	1,35	42
409R6 SONESSE RTS 447 9/14	9	14	535	511	548	476	120	0,6	1,35	40

WIRING	Neutral	Blue
	Live	Brown



Applicable on all types of tubes

