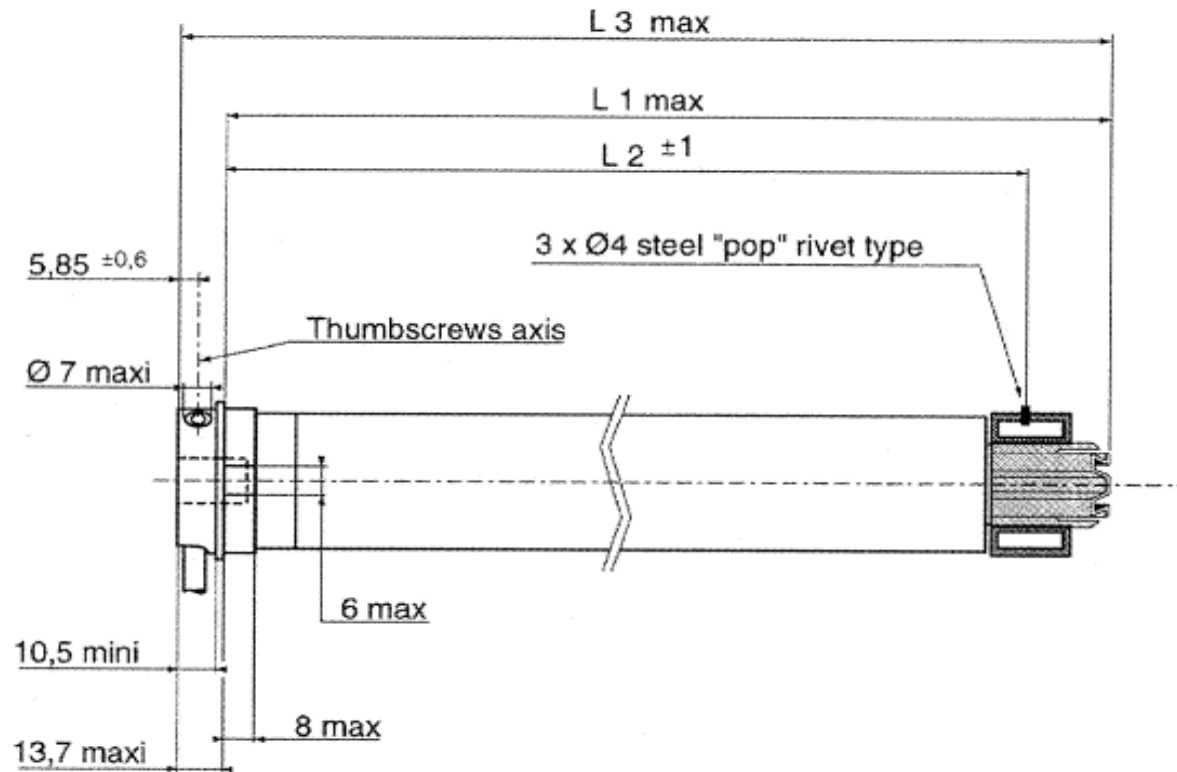


| | |
|--|--|
| Nominal voltage | 220V 60Hz |
| Power supply tolerances | 200 - 240V |
| Thermal time | 2,25 minutes |
| Number of wires of the cable | 3 |
| Wire section | 0,75 mm ² |
| Insulation class | Class II |
| Type of limit switch unit | Progressive limit switch |
| Capacity of the LSU | 40 turns |
| Repeatability | ± 15° |
| System of protection | IP44 |
| Interface drawings | Screw implantation for LS40 mounting 147897-Wheel interface LS40 147887-Crown interface LS40 147888-LS40& Altus 40 head interface drawing 147465. |
| Angular free-play for venetian application | Angular free-play between the drive wheel accessory & the tube + free-play between the crown accessory & the tube, must not exceed 8° |
| Wheel unclipping force | ≈ 7 Kg |
| Temperature working range | From 0°C to 60°C: 10 000 cycles (1 cycle = 1 u p/down movement of 2m height for a blind) Restriction: from 0°C to 10°C 1500 cycles from 35°C to 60°C 3500 cycles |
| Noise Level | Power Level (measurement between 20°C to 35°C): according to standards ISO 3741 NF 31022 in dB(A) ref 1pW, worst value at nominal Torque in up direction |

| | Nm | rpm | mm | mm | mm | mm | W | A | kg | dB(A) ref 1pW |
|-------------------------|----------------|---------------|---------|------------|---------|------|-------------|---------------|--------|-------------------|
| Designation | Nominal torque | Nominal speed | L1 max. | L2 (±3 mm) | L3 max. | tube | Rated power | Rated current | Weight | Noise Power Level |
| 403S6 Sonesse 3/36 SASO | 3 | 36 | 462 | 441 | 478 | 406 | 90 | 0,5 | 1,125 | 42 |
| 406A6 Sonesse 6/24 SASO | 6 | 24 | 494 | 473 | 510 | 438 | 110 | 0,6 | 1,25 | 42 |
| 409R6 Sonesse 9/14 SASO | 9 | 14 | 494 | 473 | 510 | 438 | 110 | 0,6 | 1,25 | 40 |

| | | |
|--------|-------------|-------|
| WIRING | Neutral | Blue |
| | Direction 1 | Brown |
| | Direction 2 | Black |



Applicable on all types of tubes

