



# ALTEA 50 RTS TECHNICAL DATA

PEU - FPTE  
RANGE 2  
ALTEA 50 RTS RANGE 2R0

2006-01-03 PAGE : 1/2

Type of head	Star head
Nominal voltage	120 V AC
Power supply tolerances	108 - 126 V AC
Frequency	60 Hz
Thermal time	5 minutes
Number of wires of the cable	3
Wire type	AWG 18
Type of limit switch unit	Electronic
Capacity of the LSU	250 turns
Repeatability	< ± 3°
System of protection	IP 44
Interface drawing	Screw implantation for LT50 mounting 206810-Wheel interface LT50 206821-Crown interface LT50 206822-Interface drawing star head LT50 and LT50PA/PS 206823
Radio frequency	433.42 MHz
Coding	Rolling code 16 million of possibilities
Capacity of memory	12 different transmitters plus 3 wireless sensors
Antenna	Integrated antenna
Range : before programming after programming	Reduced to 30 cm (the actuator beeps and the controls are momentary) 20 m with 2 reinforced concrete walls to be passed through
Electromagnetic compatibility	CEI 1000-4-2      8 kV minimum CEI 1000-4-3      level III CEI 1000-4-4      level III
Standard	FCC Part 15
Application	The ALTEA RTS actuator is dedicated to Wind Resistant Screen
Principle	The principle of the ALTEA RTS actuator is to stop in Down limit with electronic stop detection and to stop in Up limit either with automatic stop detection or thanks to the encoder (it depends on the Up limit setting choice)
Basic crown for tube Ø	50 x 1.5 mm
Temperature working range	Normal use : -10°C to +40°C    Exceptional use (2 % of the life time not simultaneous) : -20°C to + 70°C
Noise level	According to SOMFY measures (for information only).Worse value : in load up direction during 10 seconds.

Designation	Nominal torque (Nm / In.lbs)	Nominal speed (rpm)	Reference	L1 (mm)	L2 (mm)	L3 (mm)	Tube (mm)	Rated power (W)	Rated current (A)	Thermal tripping (°C)	Brake type	Weight (kg)	Noise (dBA)
506S2 ALTEA RTS 6/38	6 / 53	38	5010734	605	590	613	540	120	1.1	140	sliding	2.038	55
510S2 ALTEA RTS 10/38	10 / 88	38	5014064	655	640	663	590	150	1.3	140	sliding	2.169	

Visa:

DT:  
E. GRUZ

Quality:

Marketing:  
D. WIESCH

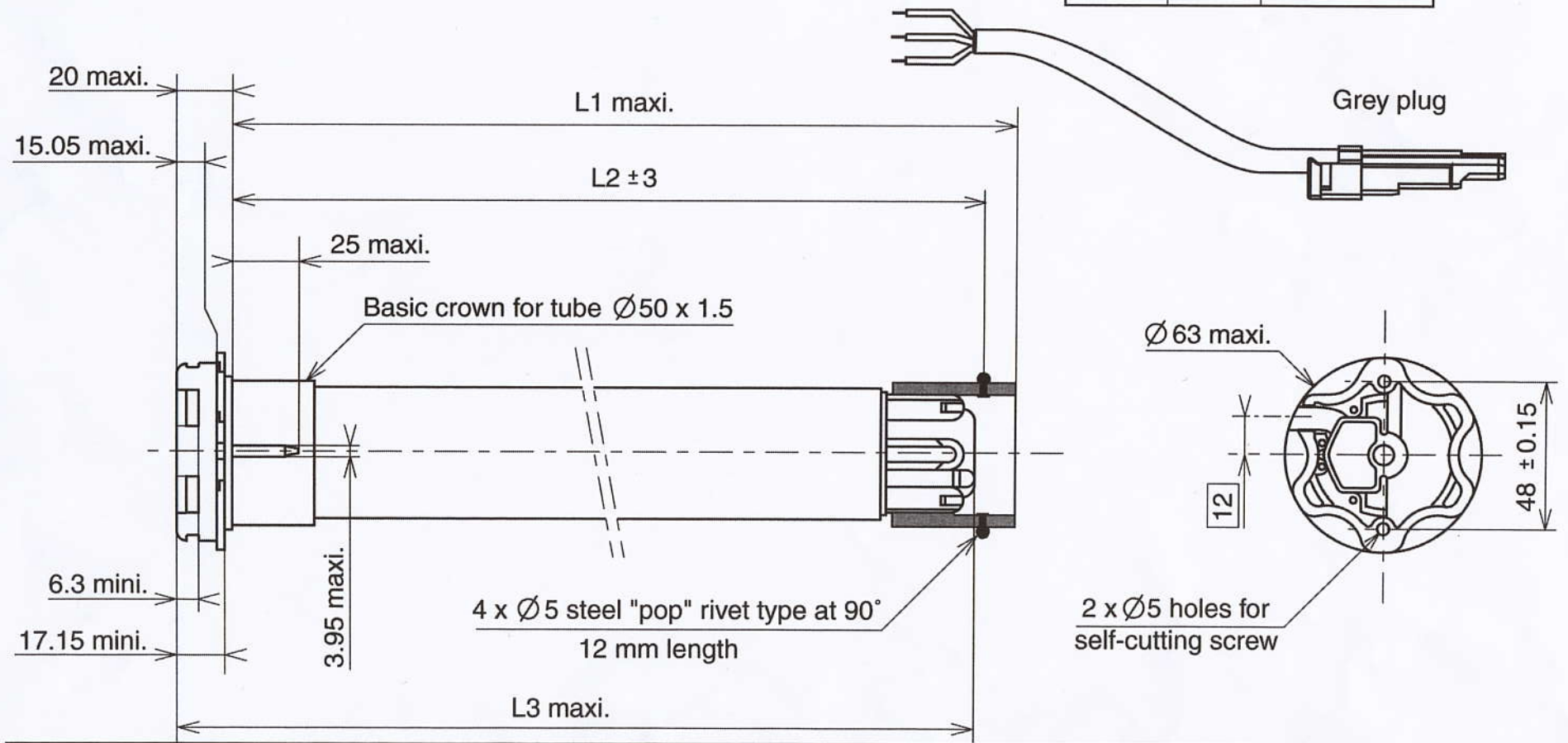
# ALTEA 50 RTS TECHNICAL DATA

PEU - FPTE  
RANGE 2  
ALTEA 50 RTS RANGE 2R0

2006-01-03 PAGE : 2/2

**CAUTION**  
**ALL COTTATIONS IN MILLIMETER**

WIRING	Neutral	White
	Live	Black
	Earth	Green



Visa : DT *[Signature]*
 Quality *[Signature]*
 Marketing : *[Signature]*  
 O. HIESCH