

<b>SOMFY®</b>	12/02/98	<b>FTS 60 TECHNICAL DATA</b>	DMKI - FPTE RANGE 5 FTS60Range5R0
---------------	----------	------------------------------	---

Nominal voltage	240 V - 50 Hz
Power supply tolerances	225 - 254V
Thermal time	7 minutes
System thermal time	dynamic brake and final tension mini : 16 minutes dynamic brake and final tension max : 13 minutes
Number of wires of the cable	5 <b>Non removable 1 m RR-F black cable</b>
Wire section	0,75 mm <sup>2</sup>
Type of limit switch unit	Quick limit switch
Capacity of the LSU	35 turns
Repeatability	± 5°
System of protection	IP 44
Interface drawings	Wheel interface LT60 206801-Crown interface LT60, LT60ADF, FTS60 & LT60CSI 206802-Interface drawing star head LT60 206803-Interface drawing LT50&60 buttons 206817.
Basic crown for tube Ø	63 x 1,5 mm
Electronic control box	Ref. ESFT726120 (230V/50-60Hz)
Temperature working range	Normal use : -10°C to +40°C Exceptionnal use (20% of the life time not continuous) : -25°C to + 70°C
Noise level	According to SOMFY measures (for information only).Worse value : in load up direction during 10 seconds.

Designation	Nm	rpm	reference	mm			tube	W	A	°C	Brake type	kg	dBA
	Nominal torque	Nominal speed		L1 max.	L2 (±3 mm)	L3 max.		Rated power	Rated current	Thermal tripping		Weight	Noise
<b>FTS 655A5</b>	<b>5 5</b>	<b>1 7</b>	200505	694	677	700	630	380	1,6	140	coil brake	5	-

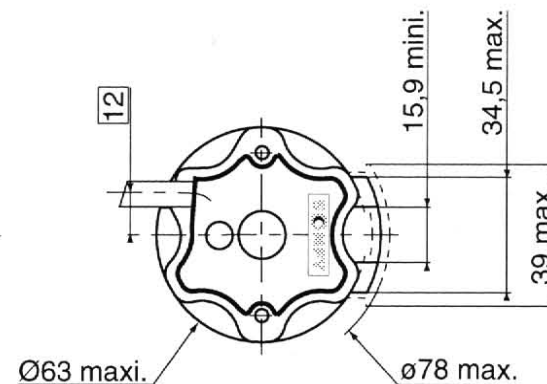
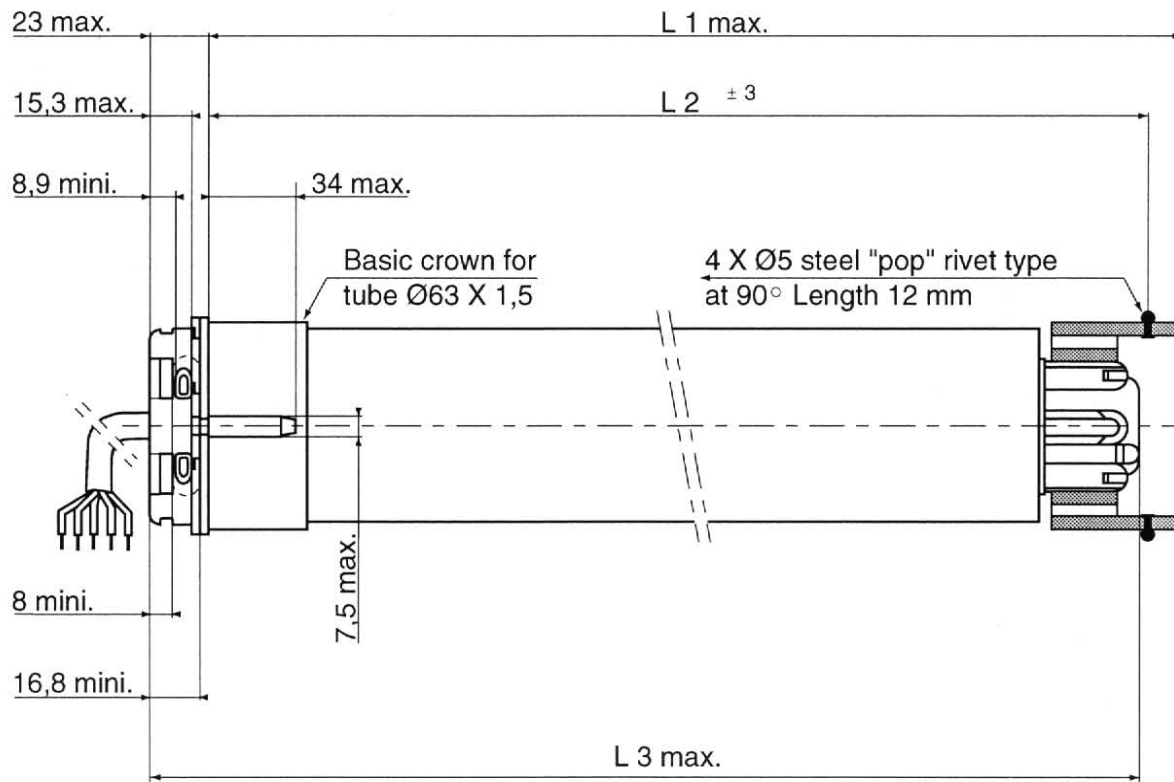




12/02/98

FTS 60 TECHNICAL DATA

RANGE 5

WIRING	Neutral	Blue
	White button	Brown
	Yellow button	Black
	Brake	Grey
	Earth	Green / Yellow



Visa : BEM 
Quality 
MKI 