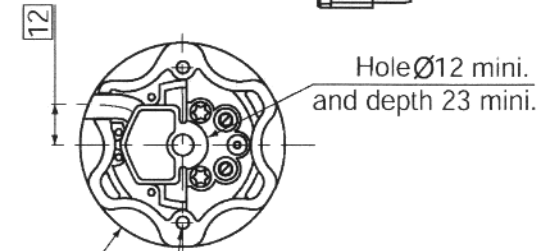
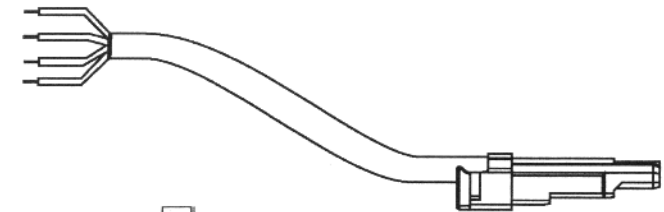
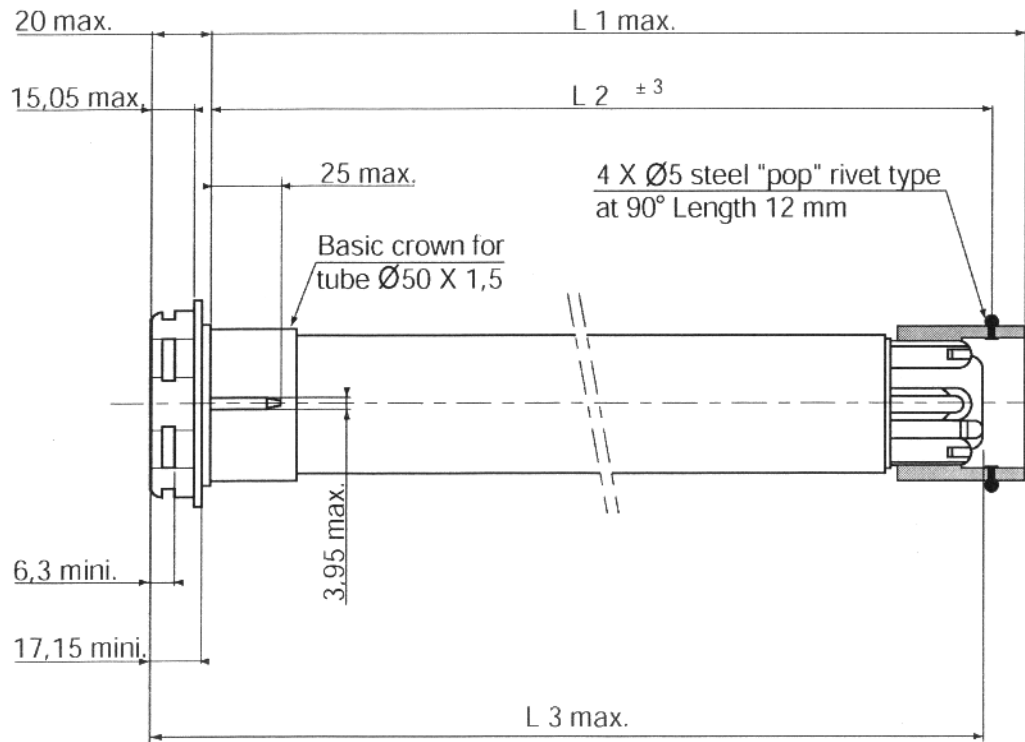
	26/09/2005	IPSO TECHNICAL DATA	DMKI - FPTE
			RANGE 1 IPSO50Range1R4

Nominal voltage	230 V - 50Hz
Power supply tolerances	207 - 253 V
Thermal time	4 minutes
Number of wires of the cable	4
Wire section	0,75 mm ²
Type of limit switch unit	Automatic adjustment dedicated only to the RRS and CWS products.
Capacity of the LSU	9 turns
length compensation	90°
System of protection	IP 44
Interface drawings	Screw implantation for LT50 mounting 206810-Wheel interface LT50 206821-Crown interface LT50 206822-Interface drawing star head LT50 and LT50PA/PS 206823
Basic crown for tube Ø	50 x 1,5 mm
Principle	combination of a counting module and a torque detection.
Service stress	Maximum width: 3 meters. Motor must be adjusted before the mounting inside the pelmet.
Temperature working range	Normal use : -10°C to +40°C Exceptional use (20% of the life time not simultaneous) : -20°C to + 70°C
Noise level	According to SOMFY measures (for information only).Worse value : in load up direction during 10 seconds.

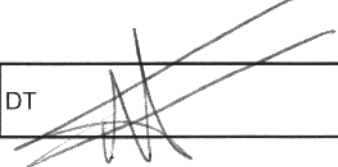
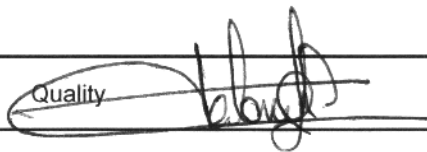
Designation	Nm	rpm	Nm		mm	mm	mm	mm	W	A	°C	kg	dBA		
	Nominal torque	Nominal speed	Reference	Up torque detection	Down torque detection	L1 max.	L2 (±3 mm)	L3 max.	tube	Rated power	Rated current	Thermal	Brake type	Weight	Noise
IPSO 6	6	17	200580	3,3 to 5,8	0,7 to 2,4	506	491	514	441	90	0,4	140	sliding	1,75	46
IPSO 10	10	17	200581	5,4 to 8,1	1 to 3,4	506	491	514	441	120	0,5	140	sliding	1,8	47
IPSO 17	17	17	200582	7,5 to 11,5	1,5 to 4,3	526	511	534	461	140	0,65	150	sliding	2	50

WIRING	Neutral	Blue
	Direction 1	Brown
	Direction 2	Black
	Earth	Green/Yellow



Ø63 maxi.

2 holes for self-cutting screw Ø5 with entre-axe 48 mm ± 0,15

Visa : DT  Quality  GMD 