



26/09/2005

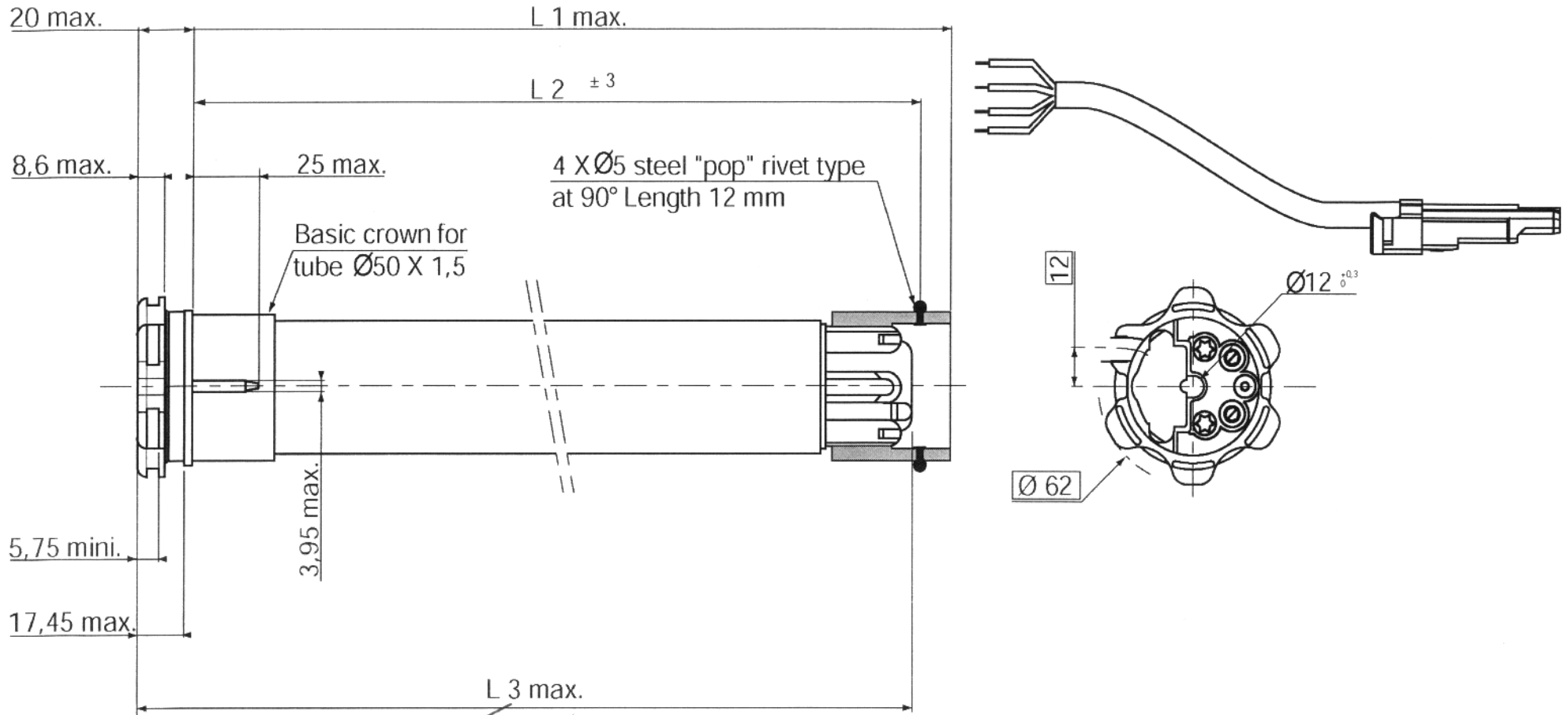
IPSO TH TECHNICAL DATA

DMKI - FPTE
RANGE 1
IPSO50THRange1R2

Nominal voltage	230 V - 50Hz
Power supply tolerances	207 - 253 V
Number of wires of the cable	4
Wire section	0,75 mm ²
Type of limit switch unit	Automatic adjustment dedicated only to the RRS and CWS products.
Capacity of the LSU	9 turns
length compensation	90°
System of protection	IP 44
Interface drawings	Screw implantation for LT50 mounting 206810-Wheel interface LT50 206821-Crown interface LT50 206822-Interface drawing Thin Head 206866.
Basic crown for tube Ø	50 x 1,5 mm
Principle	combination of a counting module and a torque detection.
Temperature working range	Normal use : -10°C to +40°C Exceptionnal use (20% of the life time not simultaneous) : -20°C to + 70°C
Noise level	According to SOMFY measures (for information only).Worse value : in load up direction during 10 seconds.

Designation	Nm	rpm	Nm		mm	mm	mm	mm	W	A	°C	kg	dBA		
	Nominal torque	Nominal speed	Reference	Up torque detection	Down torque detection	L1 max.	L2 (±3 mm)	L3 max.	tube	Rated power	Rated current	Thermal	Brake type	Weight	Noise
IPSO 6 TH	6	17	200585	3,3 to 5,8	0,7 to 2,4	505	490	513	441	90	0,4	140	sliding	1,72	-
IPSO 10 TH	10	17	200586	5,4 to 8,1	1 to 3,4	505	490	513	441	120	0,5	140	sliding	1,84	-
IPSO 17 TH	17	17	200587	7,5 to 11,5	1,5 to 4,3	525	510	533	461	140	0,65	150	sliding	1,95	-

WIRING	Neutral	Blue
	Direction 1	Brown
	Direction 2	Black
	Earth	Green/Yellow



Visa :

DT

Quality

GMD