



# OREA 50 WT TECHNICAL DATA

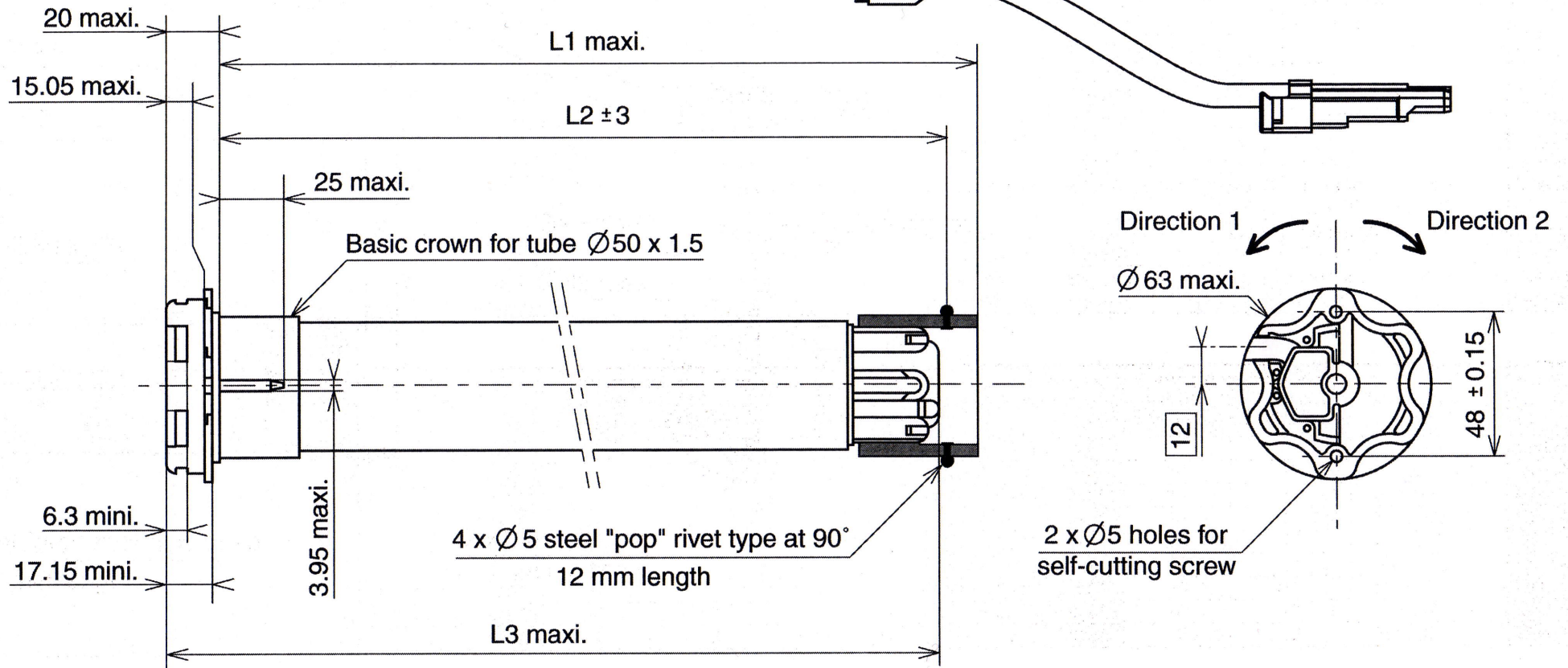
DMKI - FPTE  
RANGE 1  
OREA 50 WT RANGE 1


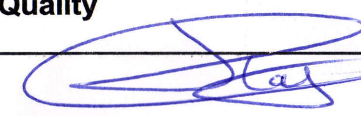
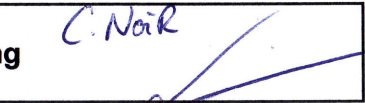
17/11/06 PAGE : 1/2

Type of head	Star head
Nominal voltage	230 V AC
Power supply tolerances	207 - 253 V AC
Frequency	50 Hz
Compatibility with switches & controls	Compatible with <b>locked switches</b> and automatism designed for motors ( <b>2 mutually locked outputs</b> ). Automatism should be based on <b>mechanical relays</b> (static relays & triacs may cause non functioning)
Thermal time	4 minutes
Number of wires of the cable	4
Wire section	0.75 mm <sup>2</sup>
Type of limit switch unit	Electronic
Capacity of the LSU	250 turns limited to 3 minutes of rotation w/o STOP
Repeatability	< ± 4°
System of protection	IP 44
Interface drawing	Screw implantation for LT50 mounting 206810-Wheel interface LT50 206821-Crown interface LT50 206822-Interface drawing star head LT50 and LT50PA/PS 206823
Principle	The principle of the OREA WT is to stop in up limit with an electronic stop detection.
Basic crown for tube Ø	50 x 1.5 mm
Temperature working range	Normal use : -10°C to +40°C    Exceptional use (20% of the life time not simultaneous) : -20°C to + 70°C
Noise level	According to SOMFY measures (for information only).Worse value : in load up direction during 10 seconds.

Designation	Nominal torque (Nm)	Nominal speed (rpm)	Reference	L1 (mm)	L2 (mm)	L3 (mm)	Tube (mm)	Rated power (W)	Rated current (A)	Thermal tripping (°C)	Brake type	Weight (kg)	Noise (dBA)
OREA 50 WT 6/17	6	17	5010970	605	590	613	540	90	0.45	140	sliding	1.72	47
OREA 50 WT 10/17	10	17	5010971	655	640	663	590	120	0.5	140	sliding	1.85	47
OREA 50 WT 15/17	15	17	5010972	655	640	663	590	140	0.65	150	sliding	1.95	50
OREA 50 WT 20/17	20	17	5010973	655	640	663	590	160	0.75	150	sliding	2.15	53
OREA 50 WT 25/17	25	17	5010974	655	640	663	590	170	0.8	150	sliding	2.2	56
OREA 50 WT 30/17	30	17	5010975	675	660	683	610	240	1.1	150	sliding	2.55	55
OREA 50 WT 35/17	35	17	5010976	675	660	683	610	240	1.1	150	sliding	2.55	56
OREA 50 WT 40/17	40	17	5010977	745	730	753	680	270	1.2	140	coil brake	2.8	57
OREA 50 WT 50/12	50	12	5010978	675	660	683	610	240	1.1	150	sliding	2.75	55

WIRING	Neutral	Blue
	Direction 1	Brown
	Direction 2	Black
	Earth	Green / Yellow



<p>Visa :</p>	<p>DT P. RAVOIRE</p> 	<p>Quality M. ROGER</p> 	<p>Marketing C. Noir</p> 
---------------	---	---	--