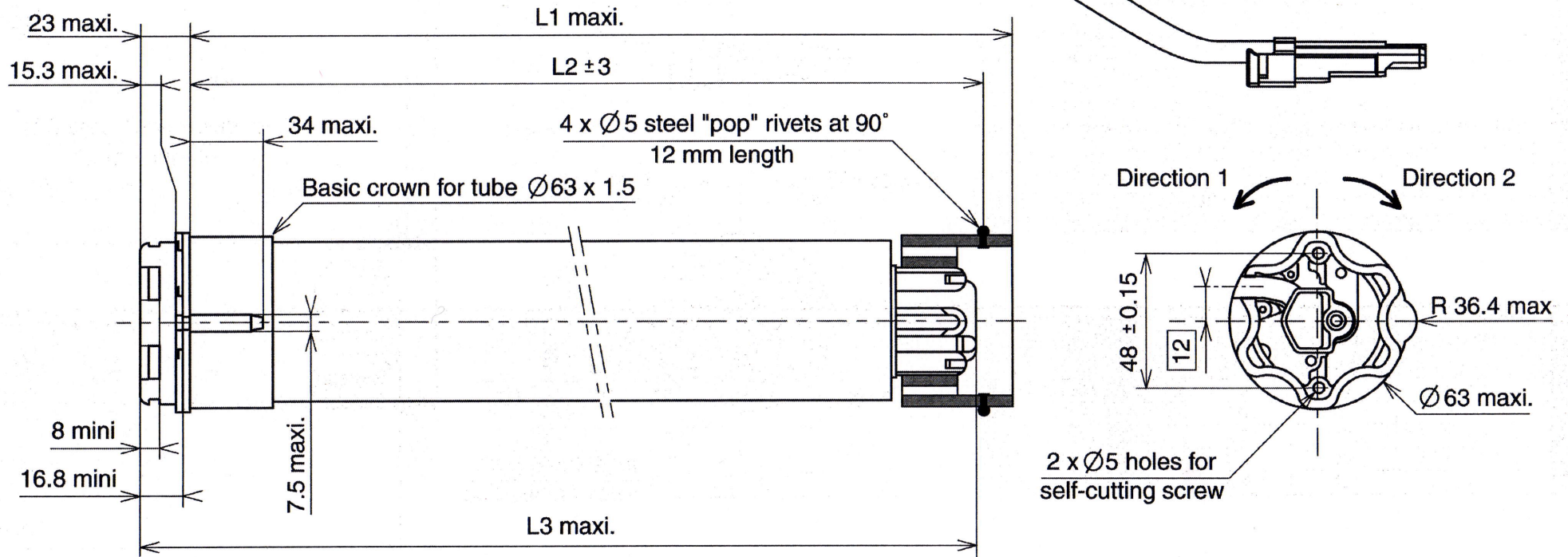


Type of head	Star head
Nominal voltage	230 V AC
Power supply tolerances	207 - 253 V AC
Frequency	50 Hz
Compatibility with switches & controls	Compatible with locked switches and automatism designed for motors (2 mutually locked outputs). Automatism should be based on mechanical relays (static relays & triacs may cause non functioning)
Thermal time	4 minutes
Number of wires of the cable	4
Wire section	0.75 mm ²
Type of limit switch unit	Electronic
Capacity of the LSU	200 turns limited to 3 minutes of rotation w/o STOP
Repeatability	< ± 3°
System of protection	IP 44
Interface drawing	Wheel interface LT60 206801-Crown interface LT60, LT60 ADF, FTS60 & LT60 CSI 206802-interface drawing star head LT60 206803
Principle	The principle of the OREA is to stop in up limit with an electronic stop detection.
Basic crown for tube Ø	63 x 1.5 mm
Temperature working range	Normal use : -10°C to +40°C Exceptional use (20% of the life time not simultaneous) : -20°C to + 70°C
Noise level	According to SOMFY measures (for information only).Worse value : in load up direction during 10 seconds.

Designation	Nominal torque (Nm)	Nominal speed (rpm)	Reference	L1 (mm)	L2 (mm)	L3 (mm)	Tube (mm)	Rated power (W)	Rated current (A)	Thermal tripping (°C)	Brake type	Weight (kg)	Noise (dBA)
OREA 60 WT 55/17	55	17	5010986	734	717	740	670	290	1.25	130	sliding	4.39	64
OREA 60 WT 70/17	70	17	5010987	734	717	740	670	350	1.5	130	sliding	4.82	66
OREA 60 WT 85/17	85	17	5010988	734	717	740	670	400	1.8	140*	sliding	5.03	66
OREA 60 WT 100/12	100	12	5010989	734	717	740	670	350	1.5	130	sliding	4.83	65
OREA 60 WT 120/12	120	12	5010990	734	717	740	670	400	1.8	140*	sliding	5.03	65

* Non resetable thermal protector

WIRING	Neutral	Blue
	Direction 1	Brown
	Direction 2	Black
	Earth	Green / Yellow



Visa :	DT P. RAYOIRE	Quality M. ROGER	Marketing C. Noil
--------	---------------	------------------	-------------------