

GDK 4000

Product reference	2 400 630
EAN Code	366084 900630 3
Pack dimensions (L x H x D)	85,5 x 34 x 13 (cm)
Weight	12,4 (kg)
Pack type	Colour box
Minimum order	1
Delivery mode	According to delivery (palette or box)

Cancels & replaces	Keasy 10
Guarantee	3 years
Marketing date	January 2006



MADE IN FRANCE

www.somfy.com



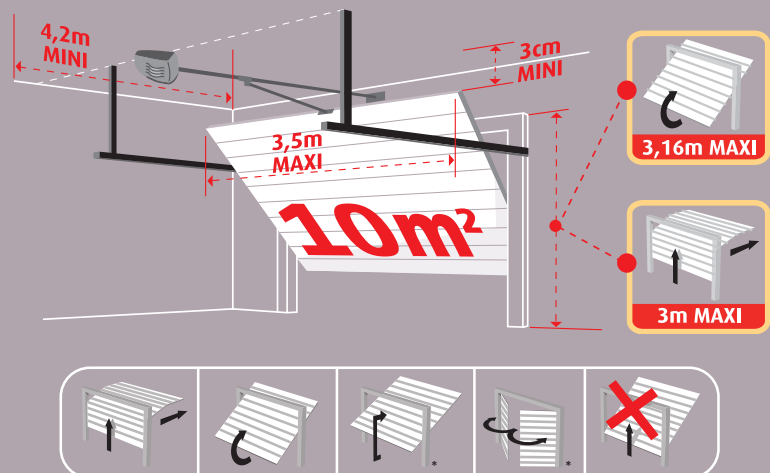
Content of the pack

- 1 motorisation
- 2 customisable remote controls**
- 1 bag of brown, blue, green clips
- 1 40W lamp and 1 protection grid
- 1 aluminium rail in 4 parts
- 4 fastening bars
- 1 lintel yoke
- 1 door yoke
- 1 linking arm
- 1 bag of accessories
- 1 installation manual



Scope of application

Max height:	Sectional door	3m
	Overlapping door	3.16m
Max surface of the door:		10 m ²
Max width of the door:		3.50m
Min height under lintel:		30mm
Min length of the garage:		4.02m
Number of cycles (opening/closing) per day		20
Operating temperature		-10°C / 40°C



* With accessories in option

Arguments

- Fast, smooth, and silent opening: 15 sec to open a 2m high door.
- Possibility to connect all comfort and safety accessories: Automatic closing possible.
- In case of power failure, the backup battery (sold separately) allows operating the garage door.
- "Intrusion-free" closing for enhanced safety.
- Emergency operation: indoor manual release possible.

Functional characteristics

- **Obstacle detection safety:** Movement reversed against obstacle when closing and door stopped against obstacle when opening, facility fully compliant with standard EN 60335-2-95
- **Simplified settings: automatic adjustments of the door according to its characteristics** (dimensions, weight, upper and lower stop points...)
- **Lighting** (40W) of your motorisation is integrated: it switches on automatically and fades out after 2 minutes.
- **Soft-Stop / Soft -Start:** Slows down at start and stop of opening and closing of the door.



Compliance with standards

This product meets strictly the provisions and main safety specifications imposed by the directive according to standard reference **EN 60335-2-95**. Declarations of compliance: www.somfy.com/CE

Technical specifications



Motor & Kit

Traction force	700 N
Power supply voltage	230 V
Type of motor	24 V
Standby consumption	4.5 W max
Track height	30 mm
Fastening accessories and bolts	Included
Linking arm	Straight
Independent lighting	40 W, Spotlight R80/E27
Lighting timeout	2 minutes
Built-in electronics	yes
Built-in radio receiver	yes
Customisable remote controls	x 2 – 2 channels

Operating specifications

Radio frequency	433 MHz
Maximum number of remotes	16
Slow closing	yes
Slow opening	yes
Adjustable slow speed	yes
Automatic mode	yes

Connectors for accessories

Photocells	yes
Amber flashlight	yes / 15 W max
Gate contact	yes
Backup battery	yes
Key switch	yes
Wire code keypad	yes
2-channel indoor wall switch	yes